



AP MOTRONIX PRIVATE LIMITED

3-18-3, Pragathi Nagar, Ramanthapur, Hyderabad – 500013. A.P.

Off.: 27038560/1929

Fax: +91-40-27038129

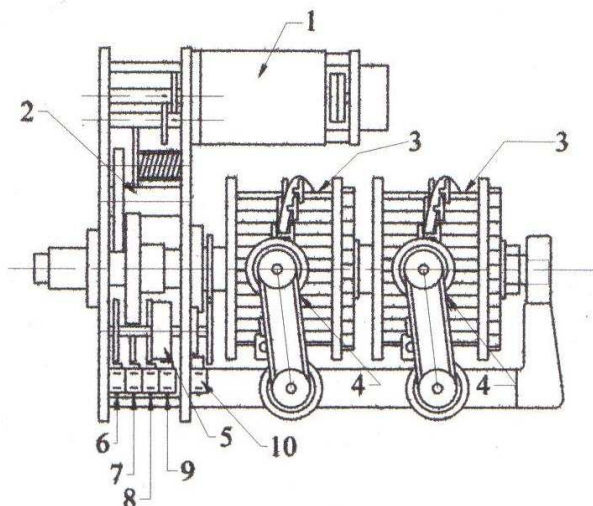
E-mail: apmotronix@gmail.com

Website: www.apmotronix.com

MODULATING SYSTEM ARG-63 FOR OIL & GAS FIRED BOILER

MODULATING SYSTEM

GAS-OIL-AIR regulator type APM-ARG-63



The three media GAS-OIL-AIR can be adjusted independently, as regards their quantity and ratio, by means of the drive unit APM-ARG-63.

1. A C Servomotor
2. Reduction Gear
3. Regulating Drum
4. Cam disc spindle
5. Feedback Potentiometer
6. Limit switch No:1,air shut off
7. Limit switch No:2,maximum output
8. Limit switch No:3,starting position
9. Limit switch No:4, positioner, starting position.
10. Limit switch No:5, Maximum output.

TECHNICAL DATA:

A C SERVOMOTOR WITH ELECTROMAGNETIC BRAKE

Voltage	: AC 115V or 230V,50Hz,Single Phase.
Power Input	: 50 Watts.
Load on end shaft	: 300 Kg-Cm.
Running Time	: 30 Sec.
Rotation	: 180 degree for adjustment
Complete shut off of air dampers	: Additional Running time 15 sec. Additional rotary motion 90°.
Feedback Potentiometer	: 135 Ohm,3 Watts,270° Operating Range.